

HYBRID-M1

A	B	Depth
355 mm	375 mm	140 mm



GENERAL INFO

DESIGNED FOR RAINWATER SUPPLIES

Undersink Water Filter System and UV All-in-One Unit

The Hybrid Mini Series uses Radfire™ ultraviolet technology to kill 99.9% of bacteria. It is eco-friendly and does not use chemicals. This system can be connected quickly and easily to any mixer tap. It turns your rainwater into pure, safe, delicious and healthy drinking water!

SPECIFICATIONS

Model:	HYBRID-M1
Replacement Parts and Cartridges	
Sediment Removal:	PL051
Taste & Odour Removal:	MC011-S
Lamp:	Puretec RL2
Min/Max Temperature:	0 - 52°C (protect from freezing)
Maximum Flow:	8 litres per minute
Min/Max Pressure:	200 - 875 kPa
Connection:	½" BSP [15 mm]
System Dimensions:	355 (w) x 375 (h) x 140 (d) mm
Warranty:	3 years^

FEATURES & BENEFITS

- Connects quickly and easily to any mixer tap.
- Turns your rainwater into pure, safe, delicious and healthy drinking water!
- Specifically designed to kill harmful microorganisms in untreated water supplies.
- Uses Puretec Radfire™ ultraviolet technology to kill 99.9% of bacteria - eco-friendly and does not use chemicals.
- Moulded carbon cartridge removes bad tastes and odour such as chlorine, whilst Silver Plus Technology prevents bacterial growth.

Important Note: 3 year warranty is 1 year parts and labour, plus 2 years parts only.

ADDITIONAL INFORMATION

Easy Home Installation

The Hybrid-M1 Series filter system will easily fit under your existing kitchen bench. All plumbing fittings are included for easy installation.

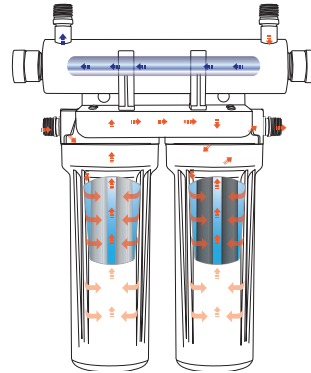
Advanced Filtration Technology

Puretec Hybrid-M1 Series system incorporates the most advanced filtration technology. It uses Radfire UV technology to kill bacteria, a washable sediment filter cartridge, a silver impregnated cartridge to remove bad taste, odour and prevents bacterial growth. The Radfire™ Ultraviolet Technology is a natural process of water purification that is eco-friendly and chemical free. Heavy duty construction allowing more flow with less pressure, making it a better option where there is more usage or very dirty water.

Longer Filter Life

The Hybrid-M1 Series incorporates Puretec's long life filter technology, so you can go longer between filter replacements, and comes with our **3 Year Platinum Protection Warranty**^.

HYBRID M1 FILTRATION TECHNOLOGY



Stage 1

- Removes the finest particles.
- Clarifies the water.
- Removes sediment, rust, sand, silt & algae.

Stage 2

- Physically filters harmful bacteria.
- Silver impregnated to prevent bacterial growth.
- Removes bad taste and odour.

Stage 3

- Kills harmful microorganisms including E. coli, Cryptosporidium and Giardia cysts.

Protection from



Cysts



Rust



Sand & Silt



Giardia Cysts



Sulphur



Algae